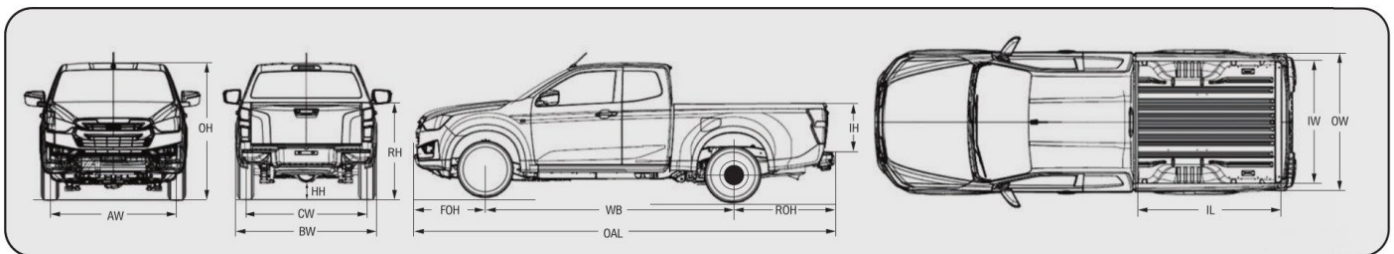


# N 60 F



REV. 1 - MARCH 2023

SPLASH WHITE	DOLOMITE WHITE	OBSIDIAN GRAY	ISLAY GRAY	RED SPINEL	BIARRITZ BLUE	MERCURY SILVER	ONYX BLACK	VALENCIA ORANGE
-----------------	-------------------	------------------	---------------	------------	------------------	-------------------	------------	--------------------



Dimensioni in mm

OAL	WB	FOH	ROH	OW	IL	IW	IH	AW	BW	CW	OH	HH	RH
5.270	3.125	895	1.250	1.870	1.805	1.530	490	1.570	1.835	1.570	1.790	240	1.340

## Engine

### Euro 6d

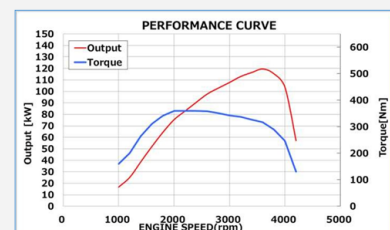


\*Image for reference only

Power Max	120 kW (164hp) /3600 rpm
Torque Max	360 Nm /2000-2500 rpm
Bore x Stroke	80 x 94.4 mm
Displacement	1,898 cm <sup>3</sup>
Compression ratio	15.9 : 1
Injection pressure	2500 bar
After-treatment devices	LNT/DPD + SCR
Diesel tank B7	76 ℓ
Adblue tank	14.5 ℓ
Generator	12V - 120A

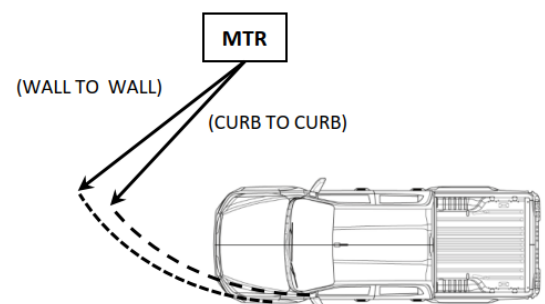
4 cyl. in line with double overhead camshaft and 16v, timing chain and electronic common rail injection.

Turbocharger with electric actuated variable geometry system, water-cooled intercooler and double EGR circuit with EGR coolers.



WLTP	M/T	A/T
Fuel consumption Combined Cycle ℓ/100 km	8,4	9,1
CO2 emission Combined Cycle g/km	219	239

Turning diameter (m)	
WALL TO WALL	CURB TO CURB
13.0	12.5



ISUZU reserves the right to change specification and equipment without notice. Details of specifications and equipment mentioned or shown in this brochure are also subject to change to meet government requirements and product development. Accessories and equipment shown in this brochure have been used for illustrative purpose only. Photos may included accessories. Please inquire at your local ISUZU distributor or dealer for more complete details on available models and their specification. Note: The colour in the photos included into this brochure, could be different from the original vehicle colour.

## WEIGHTS

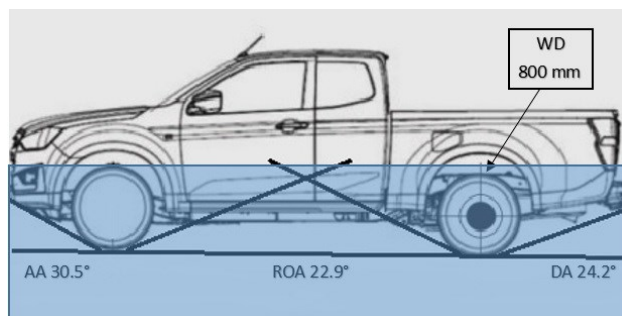
	GWW	GTW	GCW	Curb weight (in running order)
<b>M/T</b>	3.100	3.500	6.000	2.030
<b>A/T</b>	3.100	3.500	6.000	2.053

### WHEELS AND TIRES

<b>TIRES</b>	265/60R18
<b>WHEELS</b>	18" x 7.5J Alloy (MACHINING)
<b>SPARE WHEEL</b>	Steel

### OFF ROAD

Under body protections  
4X4 Part Time with Shift on the Fly  
**Rear axle differential lock**



GEARBOX	1ST	2ND	3RD	4TH	5TH	6TH	R
<b>M/T MVL-6S</b>	4,942	2,452	1,428	1,000	0,749	0,634	4,597
<b>A/T AWR6B45-II</b>	3,600	2,090	1,488	1,000	0,687	0,580	3,732

Final Drive Ratio 4.300 (43/10), with Low Range reduction (4L) 2.482 : 1

<b>FRONT SUSPENSIONS</b>	Independents with double wishbone and coil springs	<b>FRONT BRAKES</b>	Ventilated Discs
<b>REAR SUSPENSIONS</b>	Leaf springs	<b>REAR BRAKES</b>	Drums

### STANDARD EQUIPMENT

Start&Stop	Front heated seats	Automatic headlight with automatic high beam
Cruise Control	<b>Driver's seat 8 power adjustments</b>	Front and Rear fog lamp
Steering wheel controls	Driver's seat lumbar adjustment	<b>Dual Zone climate control air conditioning</b>
Adjustable speed limiter (30 - 160km/h)	Height and Depth Steering wheel adjustment	<b>Rear ventilation duct</b>
Hill Start Aid and Descent Control (HSA-HDC)	<b>Passive Entry and Start System</b>	Front doors speaker
Multi Collision Brake	Remote Keyless Entry	Tweeter
Power and heated rearview mirrors	Rear bumper integrated into the body	<b>Roof Speakers</b>
Power fold rearview mirrors	A-Pillar Assist Grip	<b>8 Airbags</b>
Windscreen wipers with rain sensor	Tailgate handle with Key	Passenger Airbag cut-off switch
<b>Windshield washer nozzle on wiper arm</b>	<b>Side Step</b>	E-call (Emergency call)
Rear window defogger	<b>Alarm system</b>	

### Pre-crash Active Safety

Warning, Decelerating\* and Braking to avoid collisions—  
FCW-AEB-MAM\*  
Blind Spot Monitoring-BSM  
Emergency Stop Signal-ESS

### Speed Assistance System

Adaptive Cruise Control— ACC\*  
Traffic Sign Recognition— TSR  
Intelligent Speed Limiter— ISL  
Manual Speed Limiter - MSL

### ISUZU Entertainment

Multimedia Display Touch 7", AUX, USB  
Android Auto and Apple CarPlay with WI-FI and Bluetooth, Maps and Navigator with Android Auto and Apple Carplay, MirrorLink and Miracast, DAB

### Parking Aids

8 Sensors; Rearview camera;  
Rear Cross Traffic Alert—RCTA

### Line Support System

Active and Passive support  
(LKAS\*-LDWS-LDP-ELK-EPS)

### Advanced Features

Welcome Light – Follow me home  
Automatic Doors Lock  
Automatic light off

### Athermic windshield

With IR cut, UVA and UVB filtering



\*Only for Automatic Gearbox

Midi Europe recommends:

LED Rear headlamp

Front Combination Light **Bi-LED**

ISUZU reserves the right to change specification and equipment without notice. Details of specifications and equipment mentioned or shown in this brochure are also subject to change to meet government requirements and product development. Accessories and equipment shown in this brochure have been used for illustrative purpose only. Photos may included accessories. Please inquire at your local ISUZU distributor or dealer for more complete details on available models and their specification. Note: The colour in the photos included into this brochure, could be different from the original vehicle colour.